

## Food slicers

### 300 mm Vertical Slicer, belt transmission with tightening arm

ITEM # \_\_\_\_\_

MODEL # \_\_\_\_\_

NAME # \_\_\_\_\_

SIS # \_\_\_\_\_

AIA # \_\_\_\_\_


**603330 (LUX300BS)**

Vertical Slicer with special tightening arm for deli meats, blade diameter 300 mm and cut capacity: 220x220 (square); 220 (round); 230x220 (rectangular), belt transmission

### Short Form Specification

**Item No.** \_\_\_\_\_

Medium duty slicer for Hotel and Catering  
 Ideal solution for slicing salami and pressed meat, thanks to the special arm.

Base and main components in high polished satin finished anodized aluminium for long lasting, hygiene and ease of cleaning. The blade is in hollow ground hard chrome with blade guard ring for added protection. Model equipped with cut thickness adjusting knob, top mounted sharpener, cover blade and product deflector - easily removable for cleaning. Ventilated blade drive motor. Poly V-belt drive system for quiet operation and economical service. Removable carriage system permanently lubricated with automatic clutch. IP42 water protection.

Supplied with blade removal tool and special tightening arm for deli meats.

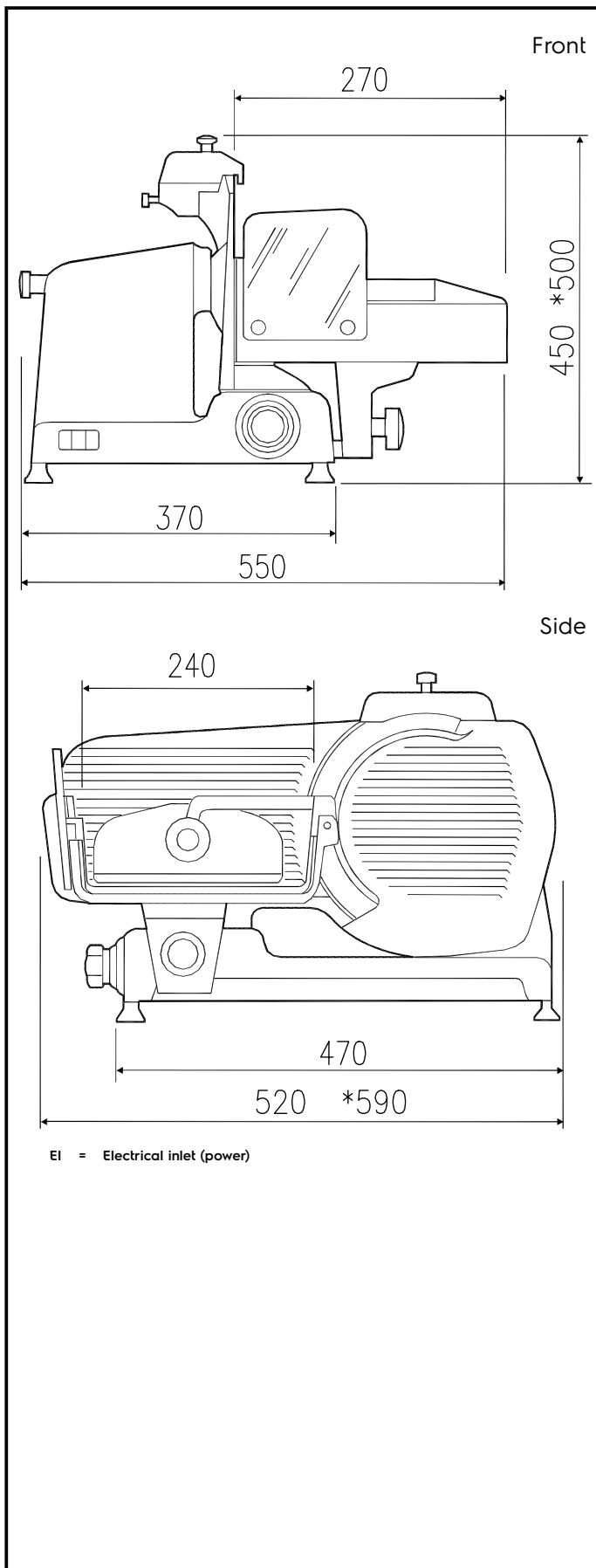
### Main Features

- Manual Vertical slicer with special tightening arm for deli meats.
- Slice thickness from 0 to 15 mm.
- Cut thickness-adjusting knob (millimeter adjustment).
- Belt driven transmission.
- Ventilated blade drive motor designed for continuous use, with Poly V-belt drive system for quiet operation and economical service.
- Removable carriage system permanently lubricated with automatic clutch.
- Top-mounted stone blade sharpener and cover blade easy to remove.
- Supplied with blade removal tool.
- Highest degree of safety in functioning, cleaning and maintenance.
- Cutting capacity for 300 mm model:
  - square: 220x220 mm
  - rectangular: 230x220 mm
  - round: 220 mm

### Construction

- Compact design.
- Made in high polished satin finished anodized aluminium. This procedure guarantees high hygienic standards of the parts interested by the cut and resistance to acids, salts and oxidation processes.
- The blade is made of hollow ground hard chrome with blade guard ring for added protection.
- Plexiglass safety hand guard as standard.
- IP42 water protection.

**APPROVAL:** \_\_\_\_\_



**Electric**

Supply voltage: 230 V/1N ph/50 Hz  
Total Watts: 0.21 kW

**Key Information:**

External dimensions, Width: 590 mm  
External dimensions, Depth: 570 mm  
External dimensions, Height: 500 mm  
Net weight (kg): 34